



HYDE CONCRETE  
8249 WATERFORD RD, UNIT A  
PASADENA, MD 21122  
Office: 410.349.0008  
www.hydeconcrete.com

**COLOR OPTIONS**

1. SAIL CLOTH (WHITE)
2. CONCRETE GRAY

**FUEL OPTION**

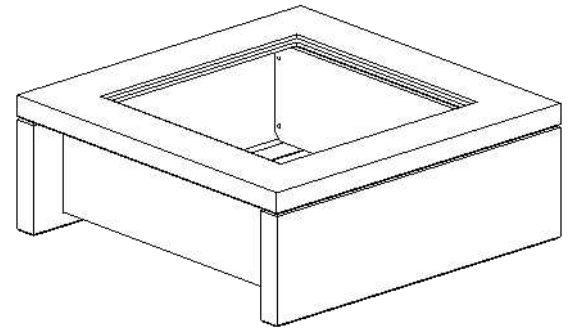
1. NATURAL GAS
2. LIQUID PROPANE (LP)

**IGNITION OPTIONS**

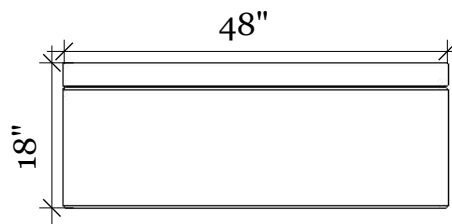
1. PUSH BUTTON

**OTHER OPTIONS**

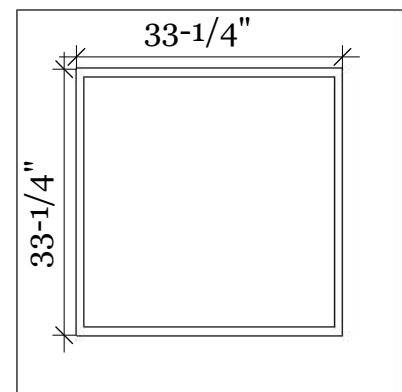
1. TEMPERED GLASS SCREEN
2. SMALL TANK LP KIT



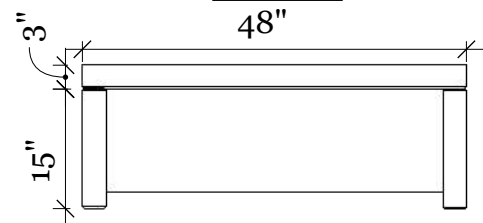
ISOMETRIC VIEW



SIDE VIEW



TOP VIEW



FRONT VIEW

**SPECIFICATIONS**

WEIGHT: ~460 LBS

MATERIAL

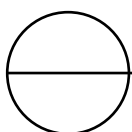
- GLASS FIBER REINFORCED CONCRETE

BURNER

- 140,000BTU 30" SQUARE BOWL BURNER FROM HPC

**NOTES:**

1. Installation to be completed in accordance with manufacturer's specifications.
2. Do not scale drawing.
3. This drawing is intended for use by architects, engineers, contractors, consultants and design professionals for planning purposes only. This drawing may not be used for construction.
4. All information contained herein was current at the time of development but must be reviewed and approved by the product manufacturer to be considered accurate.
5. Contractors note: For product and company information visit [www.hydeconcrete.com](http://www.hydeconcrete.com)



**CASCADE**

4X4 FIRE TABLE