



HYDE CONCRETE
8249 WATERFORD RD, UNIT A
PASADENA, MD 21122
Office: 410.349.0008
www.hydeconcrete.com

COLOR OPTIONS

1. SAIL CLOTH (WHITE)
2. CONCRETE GRAY

FUEL OPTION

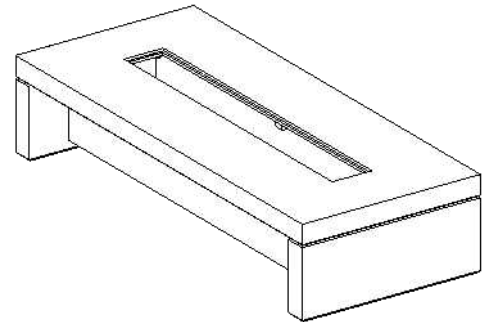
1. NATURAL GAS
2. LIQUID PROPANE (LP)

IGNITION OPTIONS

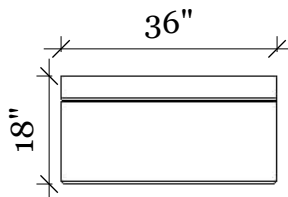
1. PUSH BUTTON

OTHER OPTIONS

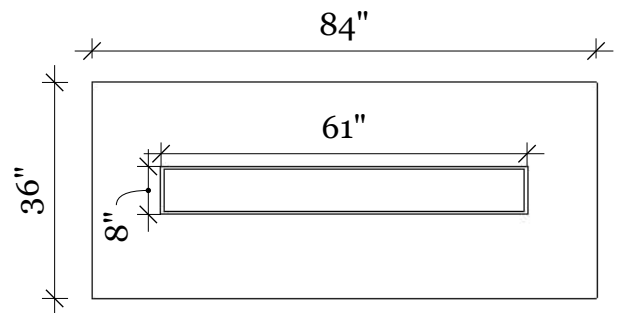
1. TEMPERED GLASS SCREEN
2. SMALL TANK LP KIT



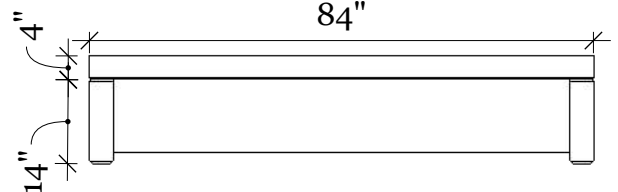
ISOMETRIC VIEW



SIDE VIEW



TOP VIEW



FRONT VIEW

SPECIFICATIONS

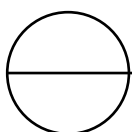
WEIGHT: ~550 LBS

MATERIAL

- GLASS FIBER REINFORCED CONCRETE
- BUNER
- 90,000BTU 61x8 INTERLINK LINEAR BURNER FROM HPC

NOTES:

1. Installation to be completed in accordance with manufacturer's specifications.
2. Do not scale drawing.
3. This drawing is intended for use by architects, engineers, contractors, consultants and design professionals for planning purposes only. This drawing may not be used for construction.
4. All information contained herein was current at the time of development but must be reviewed and approved by the product manufacturer to be considered accurate.
5. Contractors note: For product and company information visit www.hydeconcrete.com



CASCADE

7X3 FIRE TABLE