



**HYDE CONCRETE**  
LIFESTYLE PRODUCTS

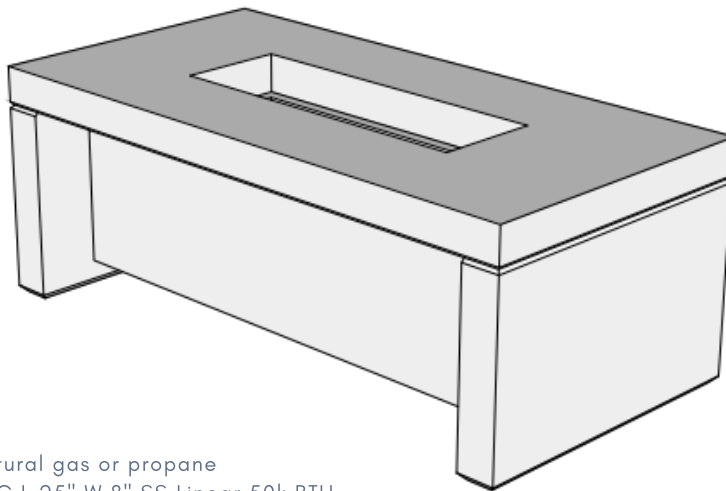


## FIRE TABLE

### *Cascade Line*



**MATERIAL** glass fiber reinforced concrete  
**COLOR** sailcloth white | concrete gray  
**DIMENSIONS** L 48" W 24" H 18" | 330 lbs concrete



**FUEL** natural gas or propane  
**BURNER** HPC L 25" W 8" SS Linear 50k BTU  
**IGNITION** match-lit or electronic push button  
**ACCESSORIES** natural lava stone, small tank liquid propane kit, tempered glass screen

CONTACT US FOR TRADE PRICING | 410.349.0008 x107 | [INFO@HYDECONCRETE.COM](mailto:INFO@HYDECONCRETE.COM)